

# Ness-Net IP-CCTV



Networked Video Solutions

## 104-328 Rugged Dome IP Camera

- High Resolution CCD with Vari-focal Lens
- Day/Night Operation
- 3-Axis Swivel Design
- 25fps, M-JPEG, MPEG-4 at D1 Resolution
- Aluminium Vandal Proof Housing

The Ness-Net 104-328 Rugged Dome IP camera offers high-performance, fixed dome solutions for exposed indoor locations for reliable, discreet surveillance with infrared illumination vision.

Featuring a rugged, vandal-resistant casing with a metal base specifically adapted for indoor environments subject to vandalism.

The high quality CCD sensor and advanced image processing together with the automatic removable infrared filter delivers crisp and clear images 24hours / day and night.



### ■ Main Features

#### High quality video and audio

- ▶ High resolution CCD with vari-focal lens
- ▶ 3-Axis swivel design
- ▶ M-JPEG and MPEG-4 dual codec
- ▶ FPS: 25 FPS @ D1 resolution
- ▶ Configurable bit-rate from 32Kbps to 3Mbps
- ▶ Full duplex stereo audio

#### Easy installation with advanced mechanical design

- ▶ Aluminum vandal proof housing
- ▶ Unbreakable housing / Burglar-proof screw design
- ▶ Full-featured combo cable design
- ▶ IEEE802.3af PoE supported

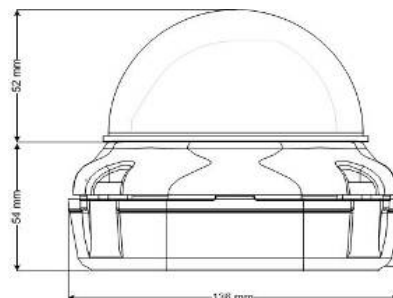
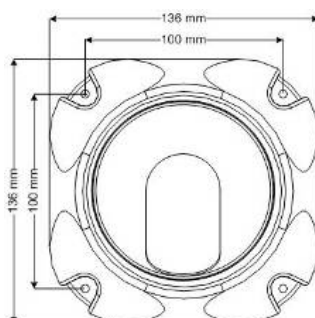
#### Powerful video management

- ▶ Instant/URL snapshot and local video recording
- ▶ Built-in web viewer
- ▶ Pre/Post buffer for image/video capturing
- ▶ DDNS support

#### Advanced alarm handling

- ▶ Video Loss/ Power Loss/ Network Loss detection
- ▶ Built-in motion alarm with configurable detection areas
- ▶ FTP and Email event handler

### ■ DIMENSION DIAGRAM



SPECIFICATIONS

LENS / SENSOR	Sensor	1/3" High Res. CCD + SONY 11X DSP
	Lens	3~9mm (F1.2) Auto Iris Lens
	Effective pixels (HxV)	752 x 582 (PAL)
	Electronic shutter	1/50~ 1/100,000 (PAL)
	BLC	Auto
	Gain	Auto
	White Balance	Auto
ANALOG VIDEO OUTPUT	Scanning System	625 lines, 50 fields/sec(PAL)
	Sync system	Internal
	Resolution	520 TV Lines
	S/N ratio	> 48 dB
	Minimum illumination	0.05 Lux (IR off), 0 Lux (IR on)
SYSTEM	CPU	ARM 9 based 32 bit RISC
	SDRAM	64 MB
	Flash	8 MB
	Embedded OS	Linux 2.4
COMPRESSION VIDEO/AUDIO	Format	M-JPEG, MPEG-4 dual codec
	Frame Rate	25fps (PAL) @ VGA resolution
	Video Resolution	PAL: D1 (720x576), CIF (352x288), QCIF (176x144)
	Bit Rate	32k ~ 3M bps
IP NETWORK	Audio	2-way (Built-in high sensitivity Mic, Line out cable)
	Ethernet	RJ45 - 10/100 Base-T
I/O CONNECTORS	Protocol	TCP/IP, DHCP, PPPoE, HTTP, DDNS, NTP, FTP, SMTP, UDP
	Network	1 x RJ-45 (female type) with LED
	Power	1 x DC Jack (female type)
	Audio	Line In x 1 / Line Out x 1, 8 kHz Stereo, ADPCM,
	Alarm In/Out	Digital In x 1 / Digital Out x 1
IR ILLUMINATION	Video Out	Video Out x 1, terminal block
	IR LEDs	24pcs
MECHANICAL	Max. IR Range	20m
	Construction	Robust housing / Burglar-proof screw
	Swivel Adjustment	3-Axis swivel design
	Power Supply	LEDs on : 12VDC / 660 mA, LEDs off : 12VDC / 460 mA
	Dimensions	136 (Ø) x 106 (H) mm
MINIMUM PC REQUIREMENTS	Weight	925g
	CPU	Pentium 4, 2.4GHz and above
	Hard Disk	40 GB or greater
	Memory	512MB or greater
	Operating System	Windows XP with SP2 or above / Windows 2000 with SP4 or above
MANAGEMENT & SUPPORT	Video Resolution	SVGA or XGA with 1024x768 resolution
	Software	DirectX 9.0C or above
	Configuration	Ness-Net Scan Utility
ENVIRONMENTAL	Web Browser	Microsoft Internet Explorer 6.0 or above
	Security	Password protection
ACCESSORIES SUPPLIED	Operating Temperature	0° ~ 40° C
	Humidity	20% ~ 80% RH
ACCESSORIES SUPPLIED		Power Adapter, USB cable, CD-ROM (User Manual)

SYDNEY 02 8825 9222  
sales@ness.com.au

MELBOURNE 03 9875 6400  
nessmelb@ness.com.au

BRISBANE 07 3399 4910  
nessbris@ness.com.au

PERTH 08 9328 2511  
nessper@ness.com.au

ADELAIDE 08 8152 0000  
adelaide@ness.com.au

NFS (NZ) 09 580 1576  
sales@nfs.co.nz



CCTV Products

www.ness.com.au

